



## Variable Focus Par

Type 7631

1,200/1,800 Watt Daylite

2,000 Watt Tungsten

The VariFocus Par is truly the best combination of Mole-Richardson Co.'s most popular products. The compact and powerful design from the DayLite Pars, the innovativeness of the Tungsten Par series and the focusable optics of the long-standing Open Face line all wrapped into one amazing fixture.

### Specifications

**Head:** Type 7631 Daylite/Tungsten

**Rating:** 100-240 Volts AC, 50-60Hz,  
1200 - 2000 Watts Max., 20 Amps Max.

**Socket:** G38, Heavy duty electrical grade porcelain body with friction type bi-posts brass inserts.

**Switch:** For Discharge lamps, ON and OFF push-button switches mounted on rear of fixture. May be re-ignited when hot. For HX2000 Tungsten, 20Amp thru-switch on cord.

**Safety Switch:** Interlock micro-switch at door shuts off power to globe sockets when door is opened. Discharge lamp cannot be turned on until door is closed.

**Cable:** Attached 7-conductor, with male interlocking Veam type connector.  
(Note: Veam to A/C Input & Switch Adapter needed to run tungsten globe).

**Reflector:** Highly polished aluminum Brytal finished faceted parabolic reflector.

**Beam Control:** Spot to flood adjustments using the focus knob on the rear of the fixture.

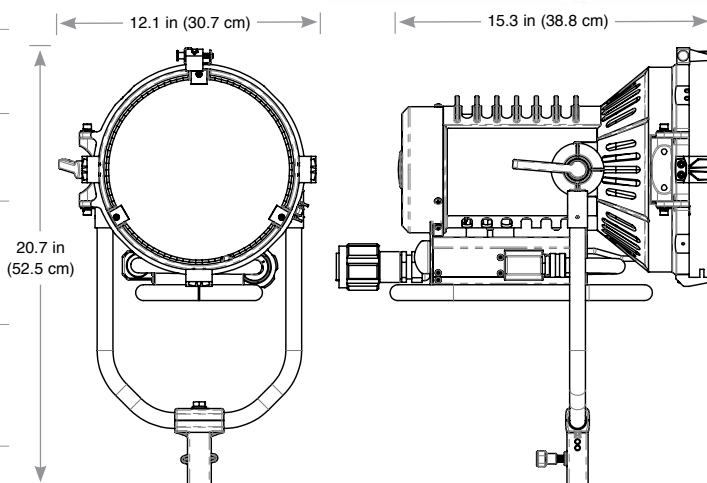
**Head Construction:** Rugged construction of cast and sheet aluminum.

**Yoke:** Aluminum tubing and cast aluminum trunnions with 5/8" (1.7 cm) dia. Baby Receiver.

**Finish:** Clear Anodized Aluminum/Black Powder Coated Enamel.

**Size:** 15.3 in/38.8 cm(d) x 12.1 in/30.7 cm(w) x 20.7 in/52.5 cm(h).

**Head Weight:** 18lbs/8.16kg (Head with Cable)



### Accessories

Accessories	Item Number
4-Way Light Shield	66361A
Diffuser Frame (10.125 in/25.7 cm)	41245A
Single Scrim—Stainless Steel (10.125 in/25.7 cm)	4099S
Double Scrim—Stainless Steel (10.125 in/25.7 cm)	4099D
Scrim Bag	G137
Veam to A/C Input Switch Adapter	663165
Veam Head Extension Cable — (25 ft/7.62 m)	63243
Veam Head Extension Cable — (50 ft/15.24 m)	66394
575/1200/1800 Watt Electronic Ballast	663164

Type 663165  
Veam to A/C  
Input Switch Adapter





# Variable Focus Par

Type 7631

1,200/1,800 Watt Daylite

2,000 Watt Tungsten

## Daylite

### Globe Table

Base — Bipost, G38; Burn any position; 4.21" L.C.L.

Watts	Code	Color Temp °K	Volts	Life Hours	Amps
1200	1200 SE/HR	5600	100	750	15.0
1800	1800 SE/HR	5600	100	750	15.8

\*The average color temperature decrease during life is .5°K to 1°K per hour of operation. Globes not included in price of lamp.  
See price list for complete details.

### Performance Data

Distance Feet (Meters)	1200 Watt Daylite (120VAC., 15.5A Max.)				1800 Watt Daylite (120VAC., 15.5A Max.)			
	Spot Beam Angle - 19° Field Angle - 30°		Flood Beam Angle - 44° Field Angle - 72°		Spot Beam Angle - 18° Field Angle - 28°		Flood Beam Angle - 47° Field Angle - 84°	
	F.C. (Lux)	Beam Dia. ft (cm)	F.C. (Lux)	Beam Dia. ft (cm)	F.C. (Lux)	Beam Dia. ft (cm)	F.C. (Lux)	Beam Dia. ft (cm)
5 (1.5)	19500 (209896)	1.7 (0.51)	4300 (46284)	4.0 (1.21)	27800 (299236)	1.6 (0.48)	5000 (53819)	4.3 (1.31)
10 (3.0)	5000 (53819)	3.3 (1.00)	1270 (13670)	8.1 (2.46)	7200 (77500)	3.2 (0.97)	1500 (16145)	8.7 (2.65)
15 (4.6)	2150 (23142)	5.0 (1.52)	590 (6350)	12.1 (3.68)	3160 (34013)	4.8 (1.46)	600 (6458)	13.0 (3.96)
20 (6.0)	1180 (12701)	6.7 (2.04)	350 (3767)	16.2 (4.93)	1750 (18836)	6.3 (1.92)	380 (4090)	17.4 (5.30)

Light tapers smoothly at edge of field. Dimensions listed define flat area boundaries at which the intensities are approximately 50% of tabulated intensities at beam center.

## Tungsten

### Globe Table

Base — Bipost, G38; Burn any position; 4.21" L.C.L.

Watts	Code	Color Temp °K	Volts	Life Hours	Amps
2000	HX 2000	3200	120	500	16.7
2000	HX 2000	3200	230	500	8.3

\*The average color temperature decrease during life is .5°K to 1°K per hour of operation. Globes not included in price of lamp.  
See price list for complete details.

### Performance Data

Distance Feet (Meters)	2000 Watt Tungsten (120VAC., 20A Max.)			
	Spot Beam Angle - 16° Field Angle - 30°		Flood Beam Angle - 35° Field Angle - 64°	
	F.C. (Lux)	Beam Dia. ft (cm)	F.C. (Lux)	Beam Dia. ft (cm)
5 (1.5)	10000 (107639)	1.4 (0.42)	1800 (19375)	3.2 (0.97)
10 (3.0)	2800 (30138)	2.8 (0.85)	600 (6458)	6.3 (1.92)
15 (4.6)	1300 (13993)	4.2 (1.28)	300 (3229)	9.5 (2.89)
20 (6.0)	600 (6458)	5.6 (1.70)	150 (1614)	12.6 (3.84)

Light tapers smoothly at edge of field. Dimensions listed define flat area boundaries at which the intensities are approximately 50% of tabulated intensities at beam center.