

AURORIS™



A NEW DIMENSION OF LIGHTING HAS ARRIVED



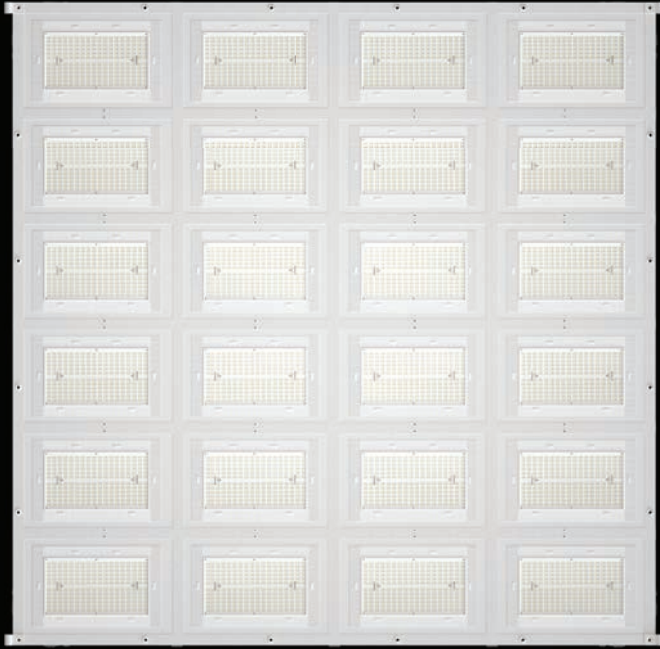
What is Auroris?

This full-color overhead light source combines high-quality color rendition and precision control in one sleek, easy-to-use package. Powered by LiteGear's Spectrum technology, Auroris is built with 24 large format pixels, creating a pixel mappable source that can cover a 100-square-foot area with just one fixture. Designed to be light on weight and easy to rig Auroris is one of the slimmest, most versatile soft lights period. The game of large area overhead lighting is forever changed.





Available in two versatile sizes

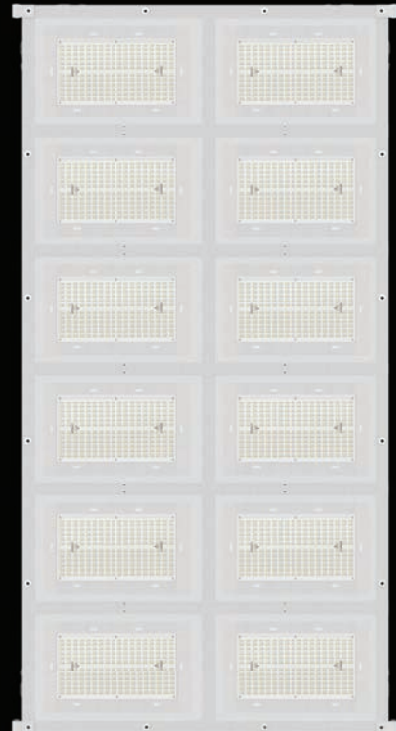


AURORIS X

- 10 ft x 10 ft (3 m x 3 m)
- Ideal for overhead rigs.

AURORIS V

- 5 ft x 10 ft (1.5 m x 3 m)
- Perfect for floor-supported lighting setups and smaller overhead rigs.





Ultra-slim and lightweight

Coming in at 114 lbs for a full 10 ft x 10 ft (3 m x 3 m),
Auroris is the new industry standard in large area lighting.

With Auroris, low ceilings and insufficient rigging points are no longer an obstacle. We built LiteGear's legendary lighting quality into a low-profile system that weighs 30% less than other available rigs. This makes Auroris the ideal lighting solution for everything from a repurposed warehouse to a large sound stage and everything in between.

At just 1 inch thin, Auroris can be used in softboxes that are only 12 inches deep, letting you recreate the light quality of a traditional softbox with just one-sixth of the space. It's now possible to fill an entire production studio with Auroris units that easily join to create seamless ceilings or walls of soft, even light.



At the speed of Lite

Set up faster than ever with our durable system.

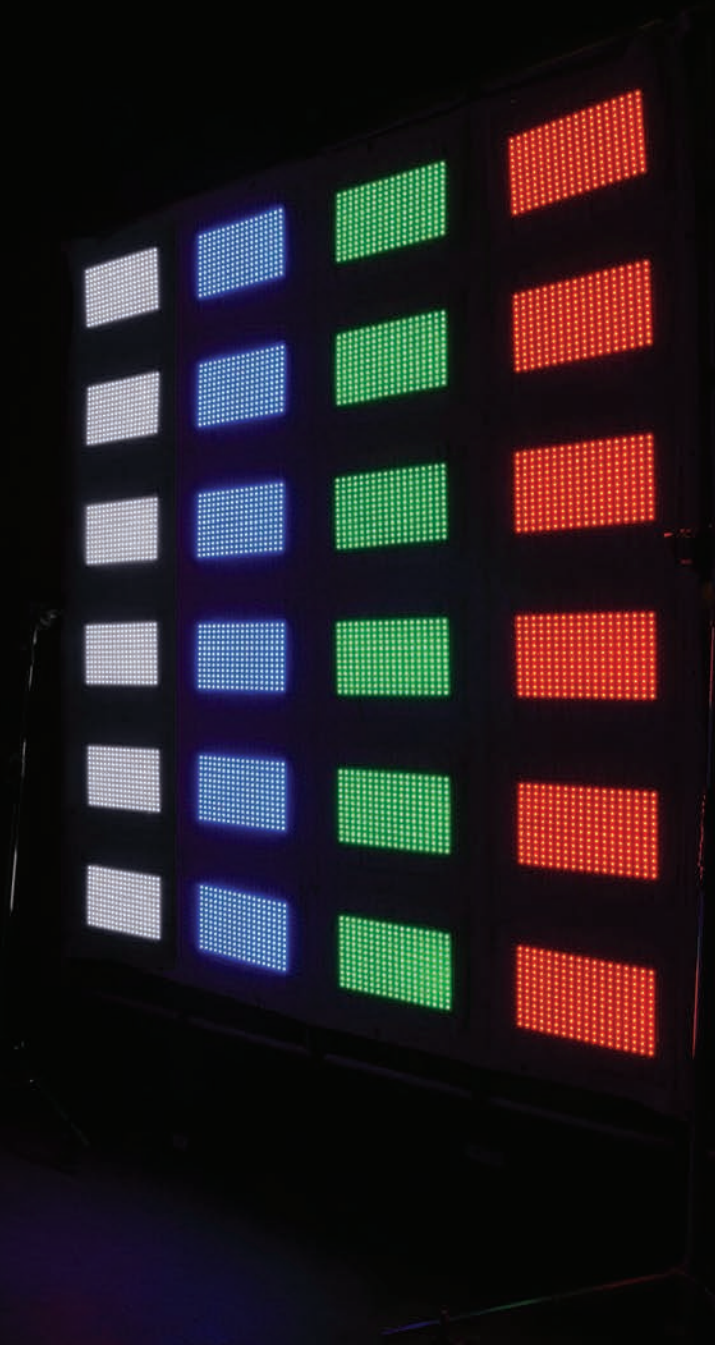
Get ready to save on space and time. Two technicians can set up an Auroris X in less than 20 minutes. Simply unfold Auroris on the ground, attach it to your rigging structure with integrated straps, hoist it into the air, and you're ready to go. Plus, every Auroris is equipped with heavy-

duty webbing and locking buckles that make attaching and tightening to a rig faster than ever, without the need for zip ties or complex rigging hardware. And wrapping has never been quicker. Auroris can be uncoupled from your rig, folded, and stored in minutes.

Next-level Spectrum color

Unmatched color and pixel control in one fixture.

LiteGear's Spectrum color technology delivers cinema-quality color output, with high-quality white light from 2,000K to 11,000K and wide-gamut hue selection with full spectrum desaturation. This color control is spread over 24 individual large format pixels in the Auroris X model and 12 individual large format pixels in the Auroris V. Auroris is an effortless way to create the perfect amount of pixel resolution for cinematic illumination in a lightweight and slim-profile package. From running video content over a fully pixel-mapped rig to creating a subtle CCT gradient, you're in complete control.



Easy transportation and storage

From limitless coverage to mini storage, travel and setup have never been easier.

Auroris can light a large area, but that doesn't mean it's hard to pack up and transport. Designed to fold up into a package that is a fraction of its size when fully deployed, an Auroris X unit can be quickly folded into a 21 in x 21 in x 32 in storage

bag, making packing convenient and taking the guesswork out of transportation. An optional road case can hold the complete Auroris X system and is designed to be easily transportable while offering a high level of protection for Auroris.



This
10 ft x 10 ft
fixture reduces to less than
2 ft x 3 ft
in under a minute



Go bigger with scalability

Durable materials, seamless connection, simple design.

When using the Auroris accessory system, you can effortlessly mount fixtures, reducing setup time. A grid of 10 Auroris X fixtures can cover 1,000 square feet, unlike competing overhead products

that require 40 units for similar coverage. Combine that with high LED density and 24 light engines, and one Auroris X unit can replace four or more similar lighting fixtures.

Auroris X

TECHNICAL SPECIFICATIONS

Product Name: Auroris X

Item Number: AUR-SPECTRUM-X-HEAD

Model: 295-1

Beam Angle: 120° HPA

Input Voltage: 48 VDC

Input Current: 1.04A per module (contains 24 modules)

LE Wattage: 50W Nominal per module (contains 24 modules)

Total Power: 1,200W Nominal (1,450W Maximum)

Color Temperature Range: 2,000K to 11,000K

Tint Control: Full plus and minus green adjustment

Dimming Range: 0 to 100% Continuous (When paired with a compatible LiteGear Dimmer)

Colored Light: 6-color, wide gamut hue and saturation control

Estimated LED Lifetime: 50,000 hrs

Power & Data Connector: 28-Pin Connection

Pixels: 24 individual large format pixels

IP Rating: IP20

Max Operating Temp: 122°F (50°C)

Weight: 114 lbs (51.8 kg)

Total LED Quantity: 31,104

Color Rendition: CRI Average: >= 95
TLCI Average: >= 95

Dimensions: Height: 10 ft (3 m)
Width: 10 ft (3 m)
Depth: 1 in (25.4 mm)

Mounting: (24) 2 inch Wide Polypropalene Heavy Weight Straps, with Heavy Duty Plastic Buckles (20) #4 Gromets on perimeter of fixture as an alternate mounting method

Certifications: ETL, CE, UKCA, FCC

PERFORMANCE DATA

Diffusion	Color Temp.	10ft, FC (spread, ft)	3m, Lux (spread, m)	20ft, FC (spread, ft)	6m, Lux (spread, m)	30ft, FC (spread, ft)	9m, Lux (spread, m)	40ft, FC (spread, ft)	12m, Lux (spread, m)	50ft, FC (spread, ft)	15m, Lux (spread, m)
None	3200K	312 (34.6 x 34.6)	3360 (10.6 x 10.6)	114 (69.3 x 69.3)	1223 (21.1 x 21.1)	60 (103.9 x 103.9)	645 (31.7 x 31.7)	34 (138.6 x 138.6)	363 (42.2 x 2.2)	22 (173.2 x 173.2)	232 (52.8 x 52.8)
	5600K	344 (334.6 x 34.6)	3707 (10.6 x 10.6)	125 (69.3 x 69.3)	1346 (21.1 x 21.1)	66 (103.9 x 103.9)	707 (31.7 x 31.7)	37 (138.6 x 138.6)	398 (42.2 x 2.2)	24 (173.2 x 173.2)	255 (52.8 x 52.8)
Quarter	3200K	255 (39.3 x 39.3)	2737 (12 x 12)	100 (78.5 x 78.5)	1093 (23.9 x 23.9)	52 (117.8 x 117.8)	564 (35.9 x 35.9)	29 (157 x 157)	317 (47.9 x 47.9)	19 (196.3 x 196.3)	203 (59.8 x 59.8)
	5600K	281 (39.3 x 39.3)	3027 (12 x 12)	110 (78.5 x 78.5)	1187 (23.9 x 23.9)	58 (117.8 x 117.8)	620 (35.9 x 35.9)	32 (157 x 157)	349 (47.9 x 47.9)	21 (196.3 x 196.3)	223 (59.8 x 59.8)
Half	3200K	245 (44.9 x 44.9)	2642 (13.7 x 13.7)	97 (89.9 x 89.9)	1041 (27.4 x 27.4)	50 (134.8 x 134.8)	536 (41.1 x 41.1)	28 (179.7 x 179.7)	302 (54.8 x 54.8)	18 (224.6 x 224.6)	193 (68.5 x 68.5)
	5600K	268 (44.9 x 44.9)	2880 (13.7 x 13.7)	107 (89.9 x 89.9)	1150 (27.4 x 27.4)	55 (134.8 x 134.8)	588 (41.1 x 41.1)	31 (179.7 x 179.7)	331 (54.8 x 54.8)	20 (224.6 x 224.6)	212 (68.5 x 68.5)
Full	3200K	225 (74.6 x 74.6)	2418 (22.7 x 22.7)	65 (149.3 x 149.3)	698 (45.5 x 45.5)	42 (223.9 x 223.9)	450 (68.2 x 68.2)	24 (298.6 x 298.6)	253 (91 x 91)	15 (373.2 x 373.2)	162 (113.7 x 113.7)
	5600K	249 (74.6 x 74.6)	2679 (22.7 x 22.7)	71 (149.3 x 149.3)	766 (45.5 x 45.5)	46 (223.9 x 223.9)	495 (68.2 x 68.2)	26 (298.6 x 298.6)	278 (91 x 91)	17 (373.2 x 373.2)	178 (113.7 x 113.7)



Our most advanced dimmer...ever

LiteDimmer Spectrum AC600 is the perfect companion to Auroris.

The LiteDimmer Spectrum AC600 is a new class of dimmers made specifically with Auroris in mind. Complete with local control and new communication protocols, this dimmer can control 12 large format pixels, making pixel mapping large overhead areas easier than ever. Specially designed with advanced processing power, integrated

Ethernet switch, expanded memory, and a faster processor, this new hardware allows for Ethernet-based communication protocols such as Art-Net and sACN, advanced color control, and cutting-edge software features. An integrated USB-A port enables easy updates that will bring new, innovative software for years to come.

CONNECTIONS

Seamless connection with advanced connectivity options.

- ETHERCON IN/THROUGH WITH INTEGRATED ETHERNET SWITCH
- USB-A
- INTERNAL WIRELESS ANTENNA
- DMX IN/THROUGH
- PDX
- 28-PIN HEADER CONNECTOR
- POWER SWITCH
- POWERCON IN/THROUGH

COMMUNICATIONS

Advanced processing power, expanded memory, a faster processor, and Ethernet-based communication.

- DMX
- RDM
- sACN
- Art-Net
- CRMX



SOFTWARE

Spectrum OS2.5 provides the tools needed to create your best work.

The Spectrum platform features 24 large format pixels combined with pixel mapping, soft light through pixelization, enhanced brightness, improved color science and tint feature, an economic user interface, ballast status visibility, enhanced low-light color consistency, and much more.

MOUNTING

Enables a secure attachment of the LiteDimmer AC600 to the Auroris truss system or any 1.5" to 2" pipe via a K-mount to cheeseborough clamp. A K-mount to Mafer clamp mount is also available.



LiteDimmer Spectrum AC600

TECHNICAL SPECIFICATIONS

Product Name: LiteDimmer Spectrum AC600

Item Number: LD-SPECTRUM-AC600

Model: 298-1

Input Voltage: 100-240 VAC, 50/60 Hz

Input Current: 4.5A to 9A

Output Voltage: 48VDC

Output Current: 14.7A to 21A

Data Connectors: USB-A, 2x EtherCon, 5-Pin DMX In and Thru, Internal CRMX Antenna

Data Connectors: PDX, 28-Pin Connector

Mains Power Connectors: powerCON TRUE1 TOP In and Thru (Edison / Schuko / Bare Ends cables available)

Control: DMX, RDM, CRMX (Art-Net, sACN coming soon)

Switches: On-board On/Off Switch

Power: 700W Maximum

IP Rating: IP20

Weight: 12.6 lbs (5.7 kg)

Dimensions:
 Height: 9.8 ft (3m)
 Width: 9.8 ft (3m)
 Depth: 1 in. (25.4mm)

Max Operating Temperature: 122°F (50°C)

Mounting: 2 kMounts (truss & stand mounts available)

Certifications: ETL, CE, UKCA, FCC

ACCESSORIES

Mounting

LDA-TRUSS-MOUNT LiteDimmer Truss Mount

LDA-STAND-MOUNT LiteDimmer Stand Mount

Cable

CA-28PIN-EXT-4M 28-Pin Header Cable, 13 ft (4m)

CA-28PIN-EXT-7.5M 28-Pin Header Cable, 25 ft (7.5m)

CA-28PIN-EXT-15M 28-Pin Header Cable, 50 ft (15m)

CA-28PIN-EXT-30M 28-Pin Header Cable, 100 ft (30m)

CA-PCONTOP-EDISON-3M powerCON to Edison, 10 ft (3m)

CA-PCONTOP-SCHUKO-3M powerCON to Schuko, 10 ft (3m)

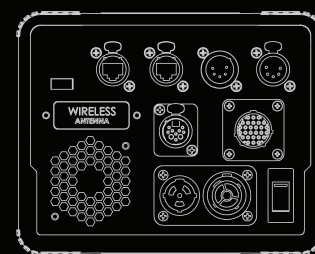
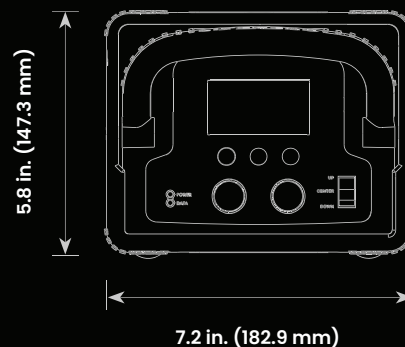
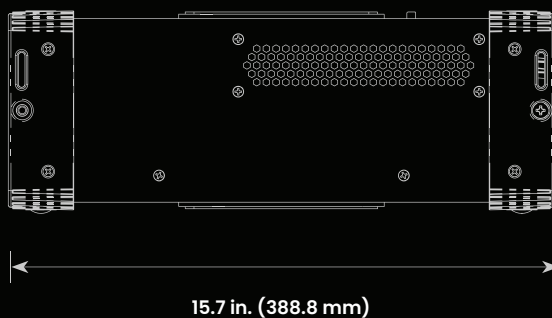
CA-PCONTOP-BE-3M-US powerCON to Bare-End, US, 10 ft (3m)

CA-PCONTOP-BE-3M-INT powerCON to Bare-End, INT, 10 ft (3m)

CA-PCONTOP-PCONTOP-4M powerCON to powerCON, 13 ft, (4m)

Safety

AURA-SAFETY-30IN-0.125IN Safety Cable with Spring Hook, 30 in long, 1/8 in Dia.



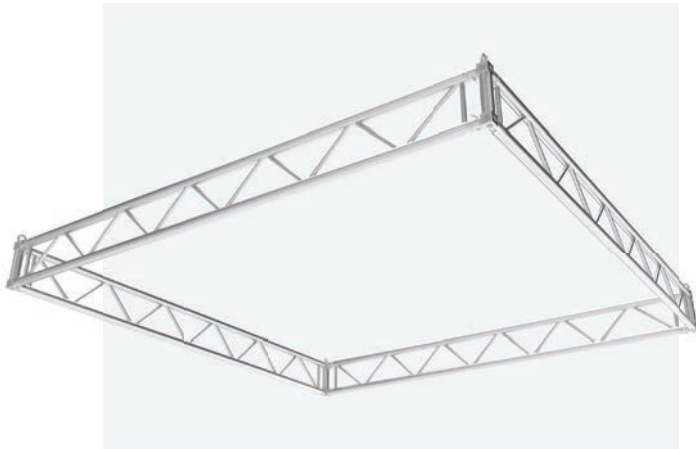
A complete ecosystem



We've worked with top cinematic lighting professionals to build a collection of accessories that work perfectly with Auroris.

The beauty of Auroris is its flexibility to be utilized and rigged in any way you desire with its wide range of accessories. Choose from components such as ladder truss, diffusion and skirt, teaser, SnapGrids, road case, safety accessories, and more. Use Auroris without diffusion or select the level of light control you desire. Whatever you choose, we have what you need to make your perfect light box.

Accessories



AURORIS TRUSS SYSTEM

Designed for Auroris, this lightweight Truss System makes rigging quick and easy. When paired with diffusion skirts, this frame is the perfect structure for creating a low-profile light box with soft and even light.



DIFFUSION AND SIDE SKIRTS

Perfect for creating soft, even light output, this diffusion and side skirt combo is available in three densities: full, half, and quarter. The skirt attaches quickly to the truss system and controls unwanted bounce or spill.



TEASERS

These duvetyn teasers extend the side skirt and allow for additional control of unwanted spill light. Attached Velcro strips allow for the height of the teaser to be quickly adjusted.



LITEDIMMER MOUNTS

The Dimmer Truss Mount provides secure attachment of the LiteDimmer Spectrum AC600 to any 1.5-inch to 2-inch pipe. The Dimmer Stand Mount provides secure attachment of the LiteDimmer Spectrum AC600 to any light stand. A K-mount enables quick and secure attachment to the AC600 while the Super Clamp affixes firmly to any light stand stem or leg. For rigging and safety, a 30-inch safety cable with a 5/16-inch spring hook is available for Auroris.



CABLES

The 28-Pin Cable operates Auroris by distributing power and data evenly across 12 light engine modules. It is available in 12 ft (4 m), 25 ft (7.5 m), 50 ft (15 m), and 100 ft (30 m) lengths. PowerCon cables are available in Edison, Schuko, bare-end, and pass-through configurations.



CASES AND BAGS

The Road Case can hold the complete Auroris X and is designed to be easily transportable while offering a high level of protection for the Auroris system. A carrying bag, which comes with every Auroris fixture, protects it from dirt and wear & tear between uses.



AURORIS™



For more information,
visit us at: litegear.com/auroris

AURORIS™

