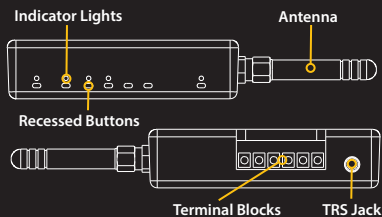
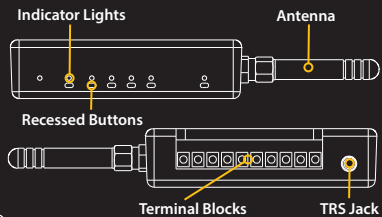


LiteDimmer Wireless Quick-Start Guide

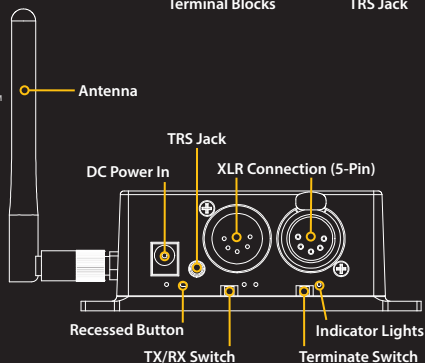
LITEDIMMER™ WIRELESS DMX 2X8



LITEDIMMER™ WIRELESS DMX 4X4



LITEDIMMER™ WIRELESS TRX TRANSMITTER & RECEIVER



Linking Devices

Linking a TRX transceiver unit with a wireless dimmer unit:

- 1 Set the TRX unit to **TX** (transmit) mode by sliding the switch to the **TX** position.
- 2 Provide DMX signal to the TRX unit.
- 3 Provide DC power to the TRX unit and the wireless dimmer unit.
- 4 If the **Connect RF** indicator light on the wireless dimmer unit is off, go to Step #5. If the **Connect RF** indicator light is solid, go to Step #6. If the indicator light is flashing, press and hold **CONNECT RF** on the wireless dimmer unit for 3 seconds until the indicator light turns off.
- 5 Tap the **LINK** button on the TRX unit. Wait 10 seconds. The **Link** indicator light (on the TRX) and the **Connect RF** indicator light (on the wireless dimmer unit) should now be solid.
- 6 Your devices should now be linked.

Linking two TRX transceiver units:

- 1 Set one of the TRX units to **TX** (transmit) mode by sliding the switch to the **TX** position. Set the other unit to **RX** (receive) mode.
- 2 Provide DMX signal to the TRX unit (set to **TX** mode).
- 3 Provide DC power to both TRX units.
- 4 If the **Link** indicator light on the TRX unit (set to **RX** mode) is off, go to Step #5. If the **Link** indicator light on the TRX unit (set to **RX** mode) is solid, go to Step #6. If the indicator light is flashing, press and hold **LINK** on the TRX unit (set to **RX** mode) for 3 seconds until the indicator light turns off.
- 5 Tap the **LINK** button on the TRX unit (set to **TX** mode). Wait 10 seconds. Both of the **Link** indicator lights should now be solid.
- 6 Your devices should now be linked.

De-Linking Devices

De-linking all devices from a TRX transceiver unit:

- 1 Provide DC power to all units you wish to de-link and to the TRX unit (set to **TX** mode).
- 2 Press and hold the **LINK** button on the TRX unit (set to **TX** mode) for 3 seconds. All **Connect RF** indicator lights on wireless dimmer units and **Link** indicator lights on TRX units (set to **RX** mode) should now be off.
- 3 Your devices should now be de-linked.

De-linking a single device from a TRX transceiver unit:

- 1 Provide DC power to the unit you wish to de-link. (Note: You do not need to power the TRX unit that it is linked to.)
- 2 Press and hold the **CONNECT RF** button on the wireless dimmer unit or the **LINK** button on the TRX unit (set to **RX** mode) for 3 seconds. The **Connect RF** indicator light on the wireless dimmer unit or the **Link** indicator light on the TRX unit (set to **RX** mode) should now be off.
- 3 Your device should now be de-linked.

Setting PWM Frequencies

Begin by disconnecting DC power from the wireless dimmer unit, and then perform one of the following operations:

20 kHz: <i>Default Setting</i>	Press and hold SET DIM A while connecting your wireless dimmer unit to power. Release SET DIM A after connecting to power.
10 kHz:	Press and hold SET DIM B while connecting your wireless dimmer unit to power. Release SET DIM B after connecting to power.
5 kHz:	Press and hold SET DIM C while connecting your wireless dimmer unit to power. Release SET DIM C after connecting to power.
615 Hz:	Press and hold SET DIM D while connecting your wireless dimmer unit to power. Release SET DIM D after connecting to power.



4406 Vanowen St., Burbank, CA 91505, USA
Tel: +1 (818) 358-8542 • Email: rf@litegear.com • Web: litegear.com/rf

226-91

Assigning Channels and Dimmer Curves

- 1 Set the TRX unit to **TX** (transmit) mode by sliding the switch to the **TX** position.
- 2 Provide DMX signal to the TRX unit.
- 3 Provide DC power to the TRX unit and the wireless dimmer unit.
- 4 Link the devices.
- 5 Set the master brightness of your console to 100% (if applicable).
- 6 Set all DMX channels to 0%.
- 7 Perform one of the following operations on your wireless dimmer unit, and note that only DIM A needs to be addressed; DIM B, DIM C, and DIM D will assume consecutive DMX addresses although you may choose to overwrite these settings and patch any DMX channel directly:

Non-Dim:	Set the desired DMX channel to 100%, and tap the button for the desired channel on your wireless dimmer unit (SET DIM A, SET DIM B, SET DIM C, SET DIM D).	Non-Dim 80 to 100%
Linear:	Set the desired DMX channel to 70%, and tap the button for the desired channel on your wireless dimmer unit (SET DIM A, SET DIM B, SET DIM C, SET DIM D).	Linear 60 to 79%
ISL Fast:	Set the desired DMX channel to 50%, and tap the button for the desired channel on your wireless dimmer unit (SET DIM A, SET DIM B, SET DIM C, SET DIM D).	ISL Fast 40 to 59%
ISL Slow:	Set the desired DMX channel to 30%, and tap the button for the desired channel on your wireless dimmer unit (SET DIM A, SET DIM B, SET DIM C, SET DIM D).	ISL Slow 20 to 39%
ISL Slow: <i>Default Setting</i>		Ignored 0 to 19%

Setting Dimmer Mode

- 1 Provide DC power to the wireless dimmer unit.
- 2 Perform one of the following operations on your wireless dimmer unit:

Single: <i>Default Setting</i>	Press and hold FUNC first, and then tap SET DIM A while continuing to hold FUNC .
Hybrid:	Press and hold FUNC first, and then tap SET DIM B while continuing to hold FUNC .
RGB:	Press and hold FUNC first, and then tap SET DIM C while continuing to hold FUNC . <i>Only available on the wireless LiteDimmer 4x4.</i>
RGBW:	Press and hold FUNC first, and then tap SET DIM D while continuing to hold FUNC . <i>Only available on the wireless LiteDimmer 4x4.</i>

Reset

- 1 Provide DC power to the wireless dimmer unit.
- 2 Press and hold the **FUNC** button for 8 seconds until **Set Dim A** flashes 5 times.
- 3 Your device should now be reset to factory defaults.

List of "Factory Defaults"
 PWM Frequency: 20 kHz
 DMX Channels: 1, 2 (Wireless 2x8); 1, 2, 3, 4 (Wireless 4x4)
 Dimmer Curve: ISL Slow
 Mode: Single

LiteDimmer Wireless 2X8 and 4X4—On Power Up

PWM Frequency	DMX DATA	FUNC	SET DIM A	SET DIM B	SET DIM C	SET DIM D	CONNECT RF
20 kHz	—	—	☀️ x2	—	—	—	—
10 kHz	—	—	☀️ ←	☀️ →	—	—	—
5 kHz	—	—	☀️ →	☀️ ←	—	—	—
615 Hz	—	—	—	☀️ x2	—	—	—

LiteDimmer Wireless 2X8 and 4X4—Running

	DMX DATA	FUNC	SET DIM A	SET DIM B	SET DIM C	SET DIM D	CONNECT RF
Reset	—	—	☀️ x5	—	—	—	—
Linked-DMX Present	●	—	—	—	—	—	●
Linked-No DMX Present	○	—	—	—	—	—	☀️ 🐢
Linked-TRX Off or Out of Range	—	—	—	—	—	—	☀️ 🐢
Not Linked	—	—	—	—	—	—	○
In Process of Linking	—	—	—	—	—	—	☀️ 🐢 10 Sec
Assigning Channel/Dimmer Curve	—	—	● (single mode only)	● (single mode only)	● (single mode only)	● (single mode only)	—
Mode	—	See "(Mode)" Chart	—	—	—	—	—

LiteDimmer Wireless 2X8 and 4X4—Running (Mode)

	DMX DATA	FUNC	SET DIM A	SET DIM B	SET DIM C	SET DIM D	CONNECT RF
Single	—	☀️ x1	—	—	—	—	—
Hybrid	—	☀️ x2	—	—	—	—	—
Chroma RGB (4X4 Only)	—	☀️ x3	—	—	—	—	—
Chroma RGBW (4X4 Only)	—	☀️ x4	—	—	—	—	—

LiteDimmer Wireless TRX—Running (Mode)

	LINK	RX	TX	TERM
RX (Receive) Mode	—	●	—	—
TX (Transmit) Mode	—	—	●	—
Terminate (On)	—	—	—	●
Terminate (Off)	—	—	—	○
DMX Present	●	—	—	—
No DMX Present	☀️ 🐢	—	—	—
In Process of Linking	☀️ 🐢 10 Sec	—	—	—
In Process of De-Linking	☀️ 🐢 5 Sec	—	—	—

☀️ = Flash
 ☀️ 🐢 = Flash (Slow)
 ☀️ 🐢 = Flash (Fast)
 ● = On
 ○ = Off
 — = N/A (Ignore)

No DMX Present – Set to RX Mode: Link will slowly flash Off instead of On.

In Process of De-Linking – Set to RX Mode: Link will turn Off.